

TC45 & TC52 Series = Steel Tray for Chest Boxes

Trays are heavy duty and mounted inside Chest boxes. Trays offer a great way to store tools, parts or personal belongings. Trays can be ordered in any size to fit any box. All AMERICAN TRUCKBOXES tray are designed and built to keep your tools organized.

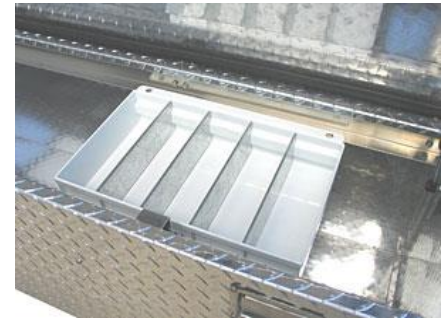
Description

- 16 gauge steel powder coated construction

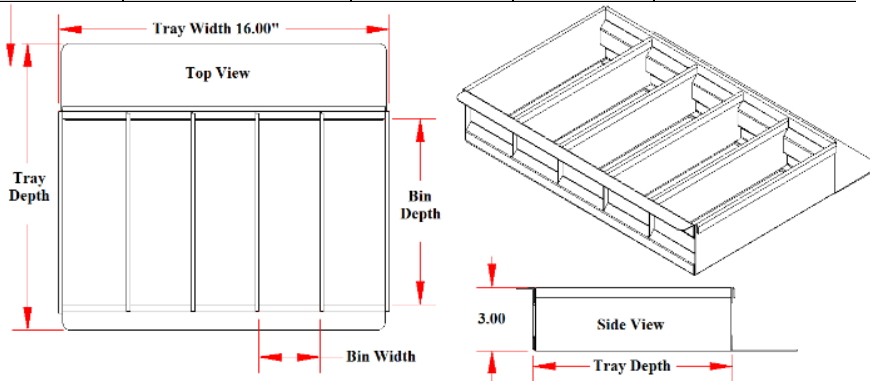
Part Number	Application	Size	Weight	Load Rating (lbs.)
TC45	ATC41, ATC51, STC41 & STC51 Chest Boxes	Varies	N/A	100
TC52	TC52 & TC42 Chest Boxes	Varies	N/A	100



TC45 Trays



TC52 Trays



STY31R Series = Steel Tray for Scaffel Rails

Trays are heavy duty and mounted on rail of a scaffel side rail. Trays offer a great way to store tools, parts or personal belongings. Trays can be ordered in any size to fit your rail. All AMERICAN TRUCKBOXES tray are designed and built to keep your tools organized.

Description

- 16 gauge steel powder coated construction

Part Number	Rail Mount Size (in.)	Height (in.)	Depth (in.)	Width (in.)	Weight (lbs.)	Load Rating
STY31R-31424-B	1-1/4	3	14	24	18	50
STY31R-31424-B	1-1/2	3	14	24	19	60
STY31R-31436-B	1-1/2	3	14	36	24	75



End View



LV Series = Louvers – Steel or Stainless Steel

LV series louvers are heavy duty and offer a great way for airflow or vent your box. Louvers can be ordered in most any size to fit most openings. All AMERICAN TRUCKBOXES louvers are designed and come with a quality design.

Description

- 16 gauge steel powder coated or stainless steel construction
- Bolt-on or weld-on (3/16" Mounting Holes)

Part Number	Height	Depth	Width	Weight
SLV3-1212-G	12	1.25	12	4.5
SLV3-2424-G	24	1.25	24	13.6
SLV3-2430-G	24	1.25	30	16.5
SLV3-3024-G	30	1.25	24	16.5
SLV3-3636-G	36	1.25	36	27.8

Note: Add a S to the beginning of the part number for Stainless Steel

