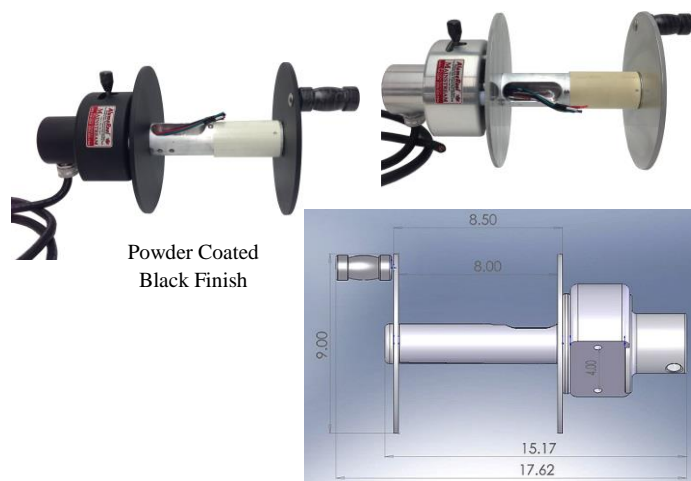


EC Series - Electric Cord Reel – AlumaReel

AlumaReel reels are heavy duty, high quality and offer easy coiling to your electric cables. Reels can be mounted to a structural tubing, inside enclosure box or any flat surface with proper mounting bracket. AlumaReel reels are of precision tooling design. All AlumaReel reels are designed and built to keep your equipment organized and secure.

Description

- An engineered aluminum construction
- High precision lightweight design - Powder coat finish
- Ball bearing on all rotating parts
- Less than 1 milliohm resistance - Contacts designed for zero wear
- Easy and smooth hand rewind
- Easy cable hookup, connectors and bolts provided (1/2" x 3/4")
- PVC and nylon isolation
- Option - mounting plates available - reel cable security cover
- Option remote control on EC6-100 Reel
- Mounting kit not included (2" Surface - 1/2" Mounting Bolts)



Technical Specifications:

Model Number	Material	Height (Disk) (in.)	Coil Width (in.)	Overall Width (in.)	Volts	Freq.	Amps	Operating Temp. Range	Wire Size (awg)	Weight (lb.)
AEC3-100A-9	Aluminum	9	8	18	0-120 V-AC	60 Hz	30 Max	-20°F to 140°F -29°C to 60°C	3-14 x 100'	18
AEC3-100B-9	Aluminum Black	9	8	18	0-120 V-AC	60 Hz	30 Max	-20°F to 140°F -29°C to 60°C	3-14 x 100'	18
AEC6-100A-9 (Remote)	Aluminum	9	8	18	0-120 V-AC	60 Hz	4-30 Max *2-4 Max	-20°F to 140°F -29°C to 60°C	6-14 x 100'	19
AEC6-100B-9 (Remote)	Aluminum Black	9	8	18	0-120 V-AC	60 Hz	4-30 Max *2-4 Max	-20°F to 140°F -29°C to 60°C	6-14 x 100'	19

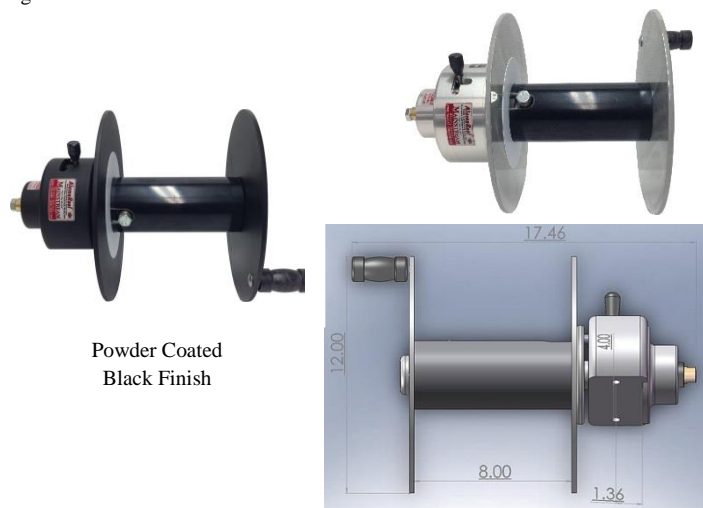
Note: * = Model EC6-100, blue and orange wires are used for low voltage control wiring

WCR Series - Welding Cord Reel - AlumaReel

AlumaReel reels are heavy duty, high quality and offer easy coiling to your welding cables. Reels can be mounted to a structural tubing, inside enclosure box or any flat surface with proper mounting bracket. AlumaReel reels are of precision tooling design. All AlumaReel reels are designed and built to keep your equipment organized and secure.

Description

- An engineered aluminum construction
- High precision lightweight design - Powder coat finish
- Ball bearing on all rotating parts
- Easy and smooth hand rewind
- Easy cable hookup, bolts provided (1/2" x 3/4")
- PVC and nylon isolation
- Option - mounting plates available - reel cable security cover
- Mounting kit not included (2" Surface - 1/2" Bolts)



Technical Specifications:

Model Number	Material	Height (Disk) (in.)	Coil Width (in.)	Overall Width (in.)	Volts	Frequency	Amps	Operating Temp. Range	Wire Size (awg)	Weight (lb.)
AWCR-100A-12	Aluminum	12	8	18	0-100 V-AC/DC	0-2000 Hz	500 Max	-20°F to 194°F -29°C to 90°C	2/0 x 100'	21
AWCR-100B-12	Aluminum Black	12	8	18	0-100 V-AC/DC	0-2000 Hz	500 Max	-20°F to 194°F -29°C to 90°C	2/0 x 100'	21