

1HRP Series - Propane Reel - AlumaReel

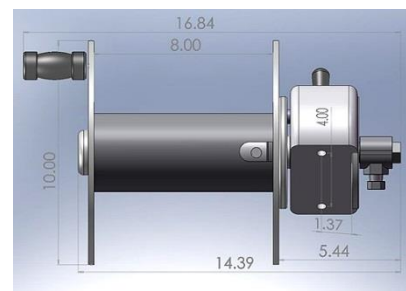
AlumaReel reels are heavy duty, high quality and offer easy coiling to your Propane hoses. Reels can be mounted to a structural tubing, inside enclosure box or any flat surface with proper mounting bracket. AlumaReel reels are of precision tooling design. All AlumaReel reels are designed and built to keep your equipment organized and secure.

Description

- An engineered aluminum construction
- High precision lightweight design - Powder coat finish
- Optional durable powder coat finish
- Ball bearing on all rotating parts
- Easy and smooth hand rewind – left or right handle mount
- Optional reel hose security cover
- Easy hose connection, fittings provided
- Vapor or liquid gas distribution
- Continuous flow design
- Option mounting plates available
- Mounting kit not included (2" Surface - 1/2" Bolts)



Powder Coated
Black Finish



Technical Specifications:

Model Number	Material	Height (Disk) (in.)	Coil Width (in.)	Overall Width (in.)	Gas	Fittings	Operating Temp. Range	Hose Length (ft.)	Wire Bolt Mount Size (in)	Weight (lb.)
A1HRP-100A-10	Aluminum	10	8	20	Propane	1/4"	-20°F to 194°F	110'	1/2 x 3/4	19
A1HRP-100A-12	Aluminum	12	8	20	Propane	3/8"	-29°C to 90°C	100'	1/2 x 3/4	19
A1HRP-100B-10	Aluminum	10	8	20	Propane	1/4"	-20°F to 194°F	110'	1/2 x 3/4	19
A1HRP-100B-12	Black	12	8	20	Propane	3/8"	-29°C to 90°C	100'	1/2 x 3/4	19

AIR Series - Air Reel - AlumaReel

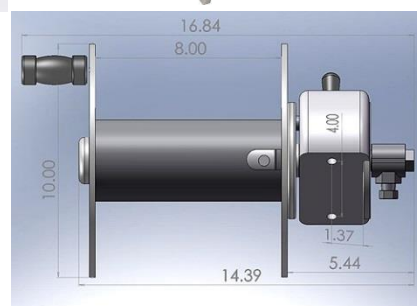
AlumaReel reels are heavy duty, high quality and offer easy coiling to your Air hoses. Reels can be mounted to a structural tubing, inside enclosure box or any flat surface with proper mounting bracket. AlumaReel reels are of precision tooling design. All Aluma-reel reels are designed and built to keep your equipment organized and secure.

Description

- An engineered aluminum construction
- High precision lightweight design - Powder coat finish
- Optional durable powder coat finish
- Ball bearing on all rotating parts
- Easy and smooth hand rewind – left or right handle mount
- Optional reel hose security cover
- Easy hose connection NPT, fittings provided
- Full port entry for full air distribution
- Continuous flow design
- Option mounting plates available
- Mounting kit not included (2" Surface - 1/2" Bolts)



Powder Coated
Black Finish



Technical Specifications:

Model Number	Material	Height (Disk) (in.)	Coil Width (in.)	Overall Width (in.)	Gas	Fittings Size	Operating Temp. Range	Hose Length (ft.)	Wire Bolt Mount Size (in)	Weight (lb.)
AAIR-100A-12	Aluminum	12	8	17	Air	1/2"	-20°F to 194°F -29°C to 90°C	80'	1/2 x 3/4	22
AAIR-100B-12	Aluminum Black	12	8	17	Air	1/2"	-20°F to 194°F -29°C to 90°C	80'	1/2 x 3/4	22