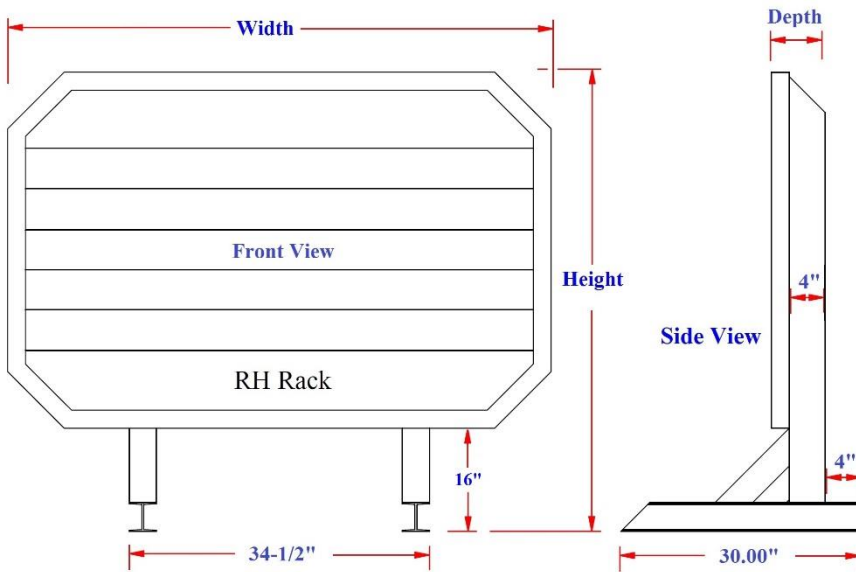
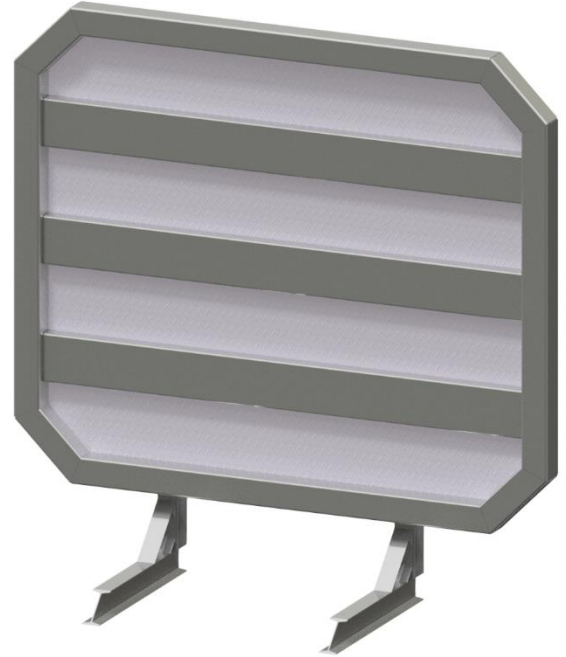


## RH5 – Tractor Racks Headache Racks- Aluminum

Rack headache rack are super heavy duty and offer easy amounting on back of a truck. Racks can be mounted on top of truck frame with U-bolts mounting kit. These racks can also be used for storing your chains and binders. Rack boxes are available in different sizes, and can be ordered custom size. All AMERICAN TRUCKBOXES boxes are designed and built to keep your equipment safe and secure.

### Description

- An engineered aluminum construction
- Fully seam welded on all seams and corners
- I-beam base mount for extra strength
- Ribbed aluminum center plate for extra strength
- Outside formed tube for extra durability
- I-beam gussets on base for extra strength
- Optional chain hangers and chain basket available
- Available with I-beam or optional flush mount system
- Mounting kit not included - M3400I



Model Number	Material	Height (in.)	Depth (in.)	Width (in.)	Weight (lb.)
ARH6-680760-TI	.190 Smooth/.125 Thread	68	7	60	154
ARH6-680764-TI	.190 Smooth/.125 Thread	68	7	64	158
ARH6-680766-TI	.190 Smooth/.125 Thread	68	7	66	162
ARH6-680770-TI	.190 Smooth/.125 Thread	68	7	70	168
ARH6-680776-TI	.190 Smooth/.125 Thread	68	7	76	172
ARH6-680780-TI	.190 Smooth/.125 Thread	68	7	80	176
ARH6-680786-TI	.190 Smooth/.125 Thread	68	7	86	180
ARH6-740768-TI	.190 Smooth/.125 Thread	74	7	68	172
ARH6-740778-TI	.190 Smooth/.125 Thread	74	7	78	184
ARH6-740786-TI	.190 Smooth/.125 Thread	74	7	86	195
ARH6-800776-TI	.190 Smooth/.125 Thread	80	7	76	242

**Note: These racks are not a SAFETY DEVICE and will NOT PREVENT SERIOUS INJURY or DEATH from cargo shifting forward or from a result of an accident or improper securement.**