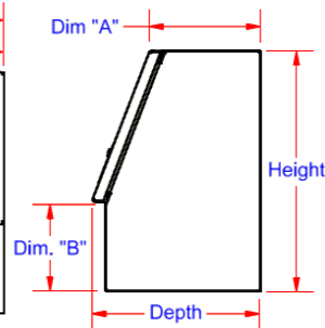
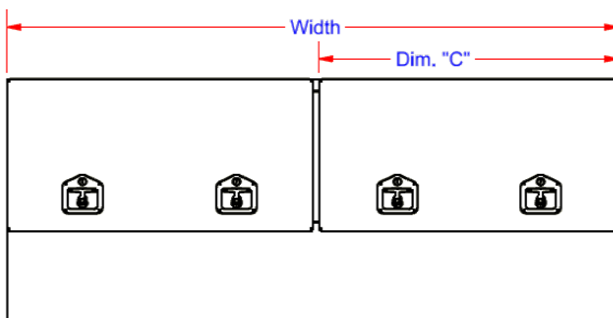
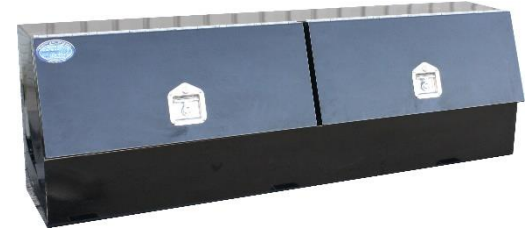


U41 – Top Side Utility Boxes - Steel & Aluminum – Top Open Door(s)

Top side utility boxes are super heavy duty, high capacity and offer easy access from side of truck or flatbed. Optional shelves offer great storage and organization. Boxes can be ordered custom size or length. All AMERICAN TRUCKBOXES drawer boxes are designed and built to keep your tools organized and equipment safe and secure.

Description

- An engineered .090 (12g) smooth and .100 (12g) thread aluminum
- An engineered 14 gauge high strength steel construction
- Fully seam welded on all seams and corners
- Stainless Steel continuous hinge on full length of lid
- Channel braced reinforced doors with gas springs
- Lockable stainless steel adjustable T-handle latch
- Powder coated baked-on finish steel, optional aluminum boxes
- Fully concealed rain gutter, with automotive type weather seal
- Optional inside shelf with or without adjustable compartment
- Mounting kit not included – (Kits Av. = M3200D-DU Series)



Note: Boxes can be ordered in Custom Size.

Model Number	Height (in.)	Depth (in.)	Width (in.)	Depth "A" (in.)	Front Height "B" (in.)	Door Opening Height (in.)	Door Opening Width (in.)	Weight (lb.)
AU41-211448SD-THT	21	14	48	9.0	8.00	10-13/16	44-7/8	42
AU41-211472DD-THT	21	14	72	9.0	8.00	10-13/16	32.9/16	62
AU41-211494DD-THT	21	14	94	9.0	8.00	10-13/16	43.9/16	78
AU41-211648SD-THT	21	16	48	11.0	8.00	10-13/16	44-7/8	46
AU41-211672DD-THT	21	16	72	11.0	8.00	10-13/16	32.9/16	64
AU41-211694DD-THT	21	16	94	11.0	8.00	10-13/16	43.9/16	82
AU41-282048SD-THT	28	20	48	13.0	10.00	16-3/16	44-7/8	60
AU41-282072DD-THT	28	20	72	13.0	10.00	16-3/16	32.9/16	86
AU41-282094DD-THT	28	20	94	13.0	10.00	16-3/16	43.9/16	108
SU41-211448SD-TH*	21	14	48	9.0	8.00	10-13/16	44-7/8	98
SU41-211472DD-TH*	21	14	72	9.0	8.00	10-13/16	32.9/16	142
SU41-211494DD-TH*	21	14	94	9.0	8.00	10-13/16	43.9/16	178
SU41-211648SD-TH*	21	16	48	11.0	8.00	10-13/16	44-7/8	104
SU41-211672DD-TH*	21	16	72	11.0	8.00	10-13/16	32.9/16	150
SU41-211694DD-TH*	21	16	94	11.0	8.00	10-13/16	43.9/16	188
SU41-282048SD-TH*	28	20	48	13.0	10.00	16-3/16	44-7/8	138
SU41-282072DD-TH*	28	20	72	13.0	10.00	16-3/16	32.9/16	198
SU41-282094DD-TH*	28	20	94	13.0	10.00	16-3/16	43.9/16	248

Note: Boxes are available in black and white; add "b" for black and "w" for white after part number.