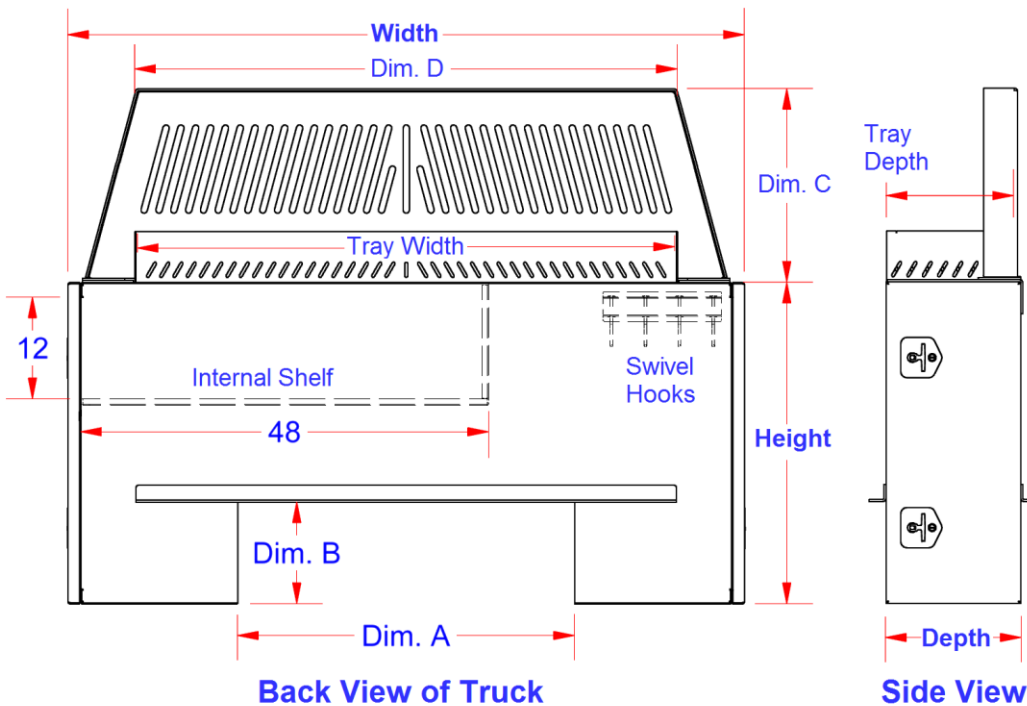
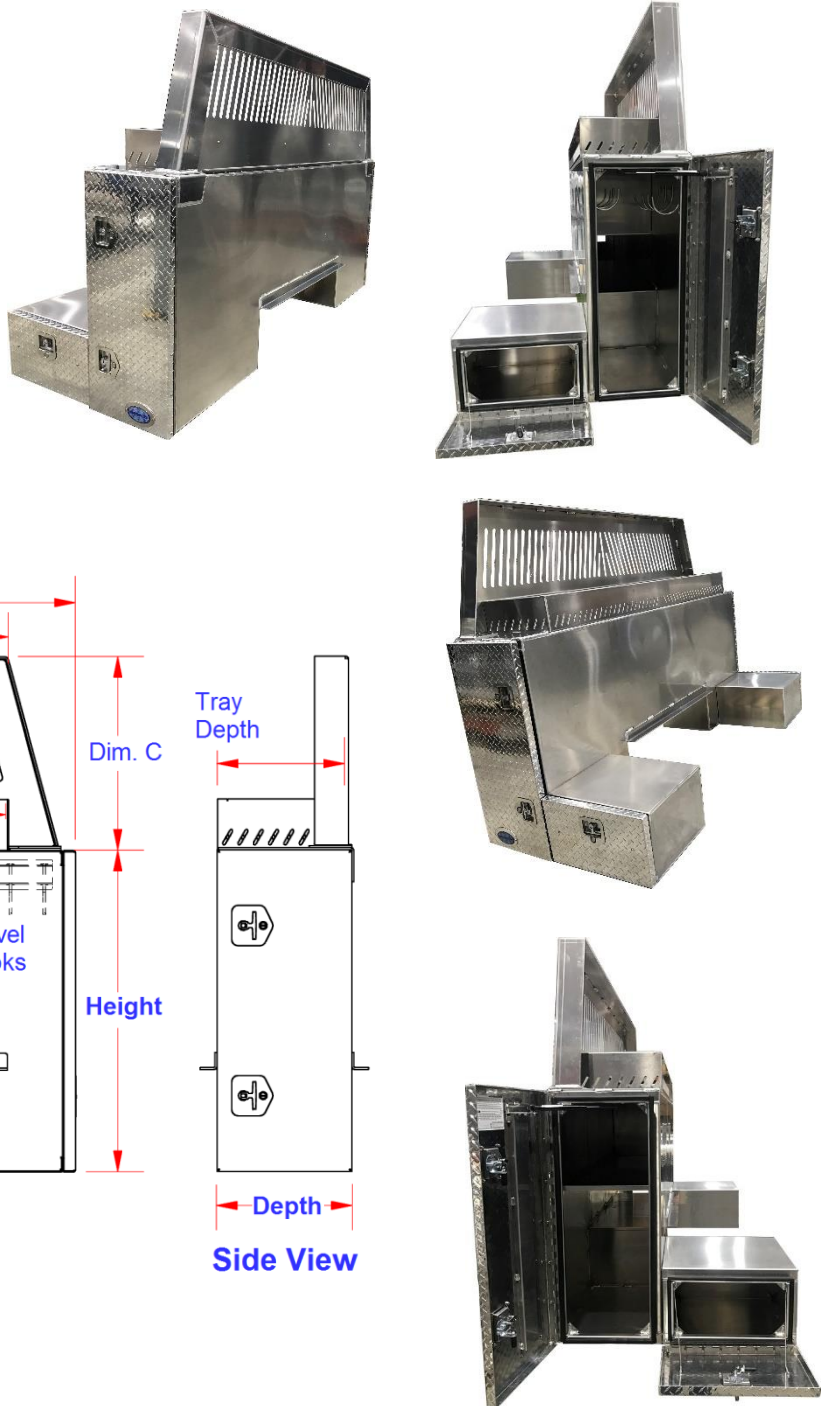


CP5E – Cross-Pack Electric Contractor Service Boxes – Aluminum – Both End Doors

Cross-pack service boxes are heavy duty, high capacity and offer easy access to your equipment. Boxes are mounted behind truck cab on truck frame. These boxes are perfect for storing your equipment, tools and personal gear. Cross-pack boxes are available in different sizes, and can be ordered custom size. All AMERICAN TRUCKBOXES boxes are designed and built to keep your equipment safe and secure.

Description

- An engineered aluminum construction
- Fully seam welded on all seams and corners
- Stainless steel continuous hinge on full length of door
- Channel braced reinforced door with gas springs
- Lockable stainless steel T-handle latch
- Built-in frame mounting rails for easy installation
- Rain gutter and automotive type weather seal
- Stationary shelf and J-hooks on either side
- Optional Powder coated baked-on finish
- Top open tray and headache rack
- Optional drawers in box available
- Service boxes (12”h x14”d x20”w) - (12”h x19”d x20”w)
- Mounting kit not included - Kit available M3450C



Note: *Boxes are available in black and white; add “b” for black and “w” for white after part number.

Model Number	Material	Height (in.)	Depth (in.)	Width (in.)	Dim. A (In.)	Dim. B (in.)	Dim. C (in.)	Dim. D (in.)	Weight (lb.)
ACP5E1-388016SD-BESOTK2	10 Gauge Aluminum	38	80	16	40	12	23	64	260
ACP5E1-389016SD-BESOTK2	10 Gauge Aluminum	38	90	16	40	12	23	74	295