

TC – Top Chest Slim Design Boxes - Aluminum & Steel - Single Top Open Lid

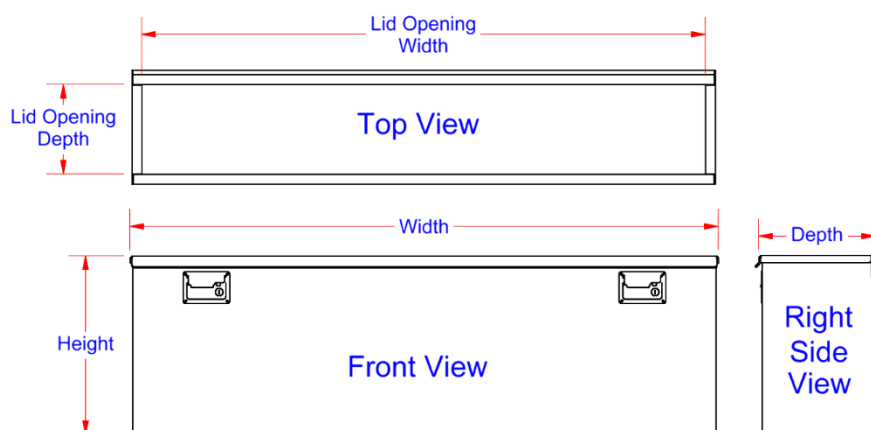
Chest slim boxes are heavy duty and offer easy access to your equipment. Boxes can be mounted on truck box, flatbed or trailer. These boxes are perfect for storing your equipment, tools and personal gear. Chest slim boxes are available in different sizes, and can be ordered custom size. All AMERICAN TRUCKBOXES boxes are designed and built to keep your equipment safe and secure.

Description

- An engineered aluminum or steel powder coated construction
- Fully seam welded on all seams and corners
- Stainless steel continuous hinge on full length of lid
- Flush Back
- Channel braced reinforced lid bigger boxes
- Lockable and linked stainless steel latch from either end
- Adjustable lock striker for positive weather seal
- Automotive type weather seal
- Automotive style latch with smooth rotary action
- Mounting kit included - M3200D



Smooth Aluminum



Model Number	Material	Height (in.)	Depth (in.)	Width (in.)	Lid Opening Depth (in.)	Lid Opening Width (in.)	Weight (lb.)
ATC53-12848SL-TOTTC	.100 Thread	12	8	48	5-1/16	45-3/8	30
ATC53-14860SL-TOTTC	.100 Thread	14	8	60	5-1/16	57-3/8	40
ATC53-18848SL-TOTTC	.100 Thread	18	8	48	5-1/16	45-3/8	38
ATC53-20960SL-TOTTLR	.100 Thread	20	9	60	6-1/16	57-3/8	51
ATC53-241060SL-TOTTLR	.100 Thread	24	10	60	7-1/16	57-3/8	59
ATC43-12836SL-TOTC	.090 Smooth/.100 Thread	12	8	36	5-1/16	33-3/8	19
ATC43-14848SL-TOTC	.090 Smooth/.100 Thread	14	8	48	5-1/16	45-3/8	24
ATC43-18836SL-TOTC	.090 Smooth/.100 Thread	18	8	36	5-1/16	33-3/8	24
ATC43-20948SL-TOTLR	.090 Smooth/.100 Thread	20	9	48	6-1/16	45-3/8	34
ATC43-241060SL-TOTLR	.090 Smooth/.100 Thread	24	10	60	7-1/16	57-3/8	49
STC33-12836SL-TO*C	16 Gauge Steel	12	8	36	5-1/16	33-3/8	34
STC33-14848SL-TO*C	16 Gauge Steel	14	8	48	5-1/16	45-3/8	47
STC33-18836SL-TO*C	16 Gauge Steel	18	8	36	5-1/16	33-3/8	43
STC33-20948SL-TO*LR	16 Gauge Steel	20	9	48	6-1/16	45-3/8	61
STC33-241060SL-TO*LR	16 Gauge Steel	24	10	60	7-1/16	57-3/8	87