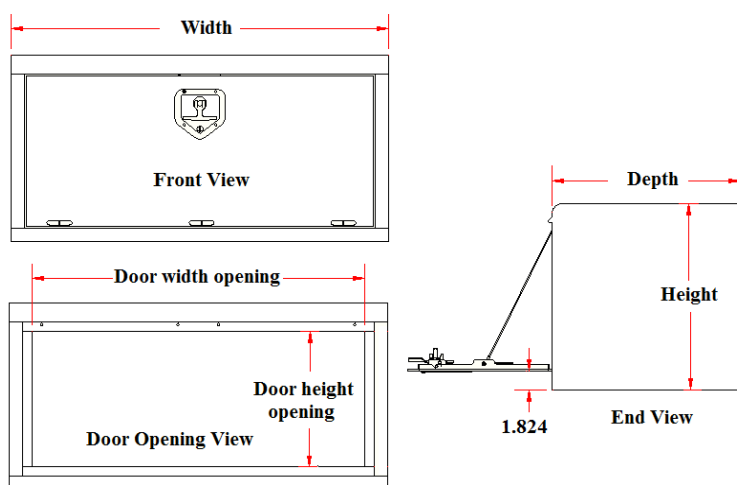


20 - Service Boxes - Steel or Stainless Steel - Single Drop Open Door

Service boxes are heavy duty, high capacity and offer easy access to your equipment. Boxes can be mounted on truck, flatbed or trailer. These boxes are perfect for storing your equipment, tools and personal gear. Service boxes are available in different sizes, and can be ordered custom size. All AMERICAN TRUCKBOXES boxes are designed and built to keep your equipment safe and secure.

Description

- An engineered steel construction powder coated
- Fully seam welded on all seams and corners
- Brass bushing grease-able hinges to avoid freeze-ups
- Channel braced reinforced door
- Lockable stainless steel T-handle latch
- Aircraft-type nylon door cable
- Rain gutter and automotive type weather seal
- Powder coated baked-on finish
- Optional gas spring on top hinged boxes
- Mounting kit not included



Note: *Boxes are available in black and white, add “b” for black and “w” for white after part number. Smaller Boxes are also available with a slam latch.

Model Number	Material	Height (in.)	Depth (in.)	Width (in.)	Door Opening Height (in.)	Door Opening Width (in.)	Weight (lb.)
S20-141436SD-DO*	14 Gauge Steel	14	14	36	9.125	31.625	60
S20-161636SD-DO*	14 Gauge Steel	16	16	36	11.125	31.625	70
S20-161648SD-DO*	14 Gauge Steel	16	16	48	11.125	43.625	89
S20-181824SD-DO*	14 Gauge Steel	18	18	24	13.125	19.625	58
S20-181830SD-DO*	14 Gauge Steel	18	18	30	13.125	25.625	70
S20-181836SD-DO*	14 Gauge Steel	18	18	36	13.125	31.625	80
S20-181848SD-DO*	14 Gauge Steel	18	18	48	13.125	43.625	100
S20-181860SD-DO*	14 Gauge Steel	18	18	60	13.125	55.625	122
S20-182448SD-DO*	14 Gauge Steel	18	24	48	13.125	43.625	118
S20-182460SD-DO*	14 Gauge Steel	18	24	60	13.125	55.625	142
S20-242448SD-DO*	14 Gauge Steel	24	24	48	19.125	43.625	138
S20-242460SD-DO*	14 Gauge Steel	24	24	60	19.125	55.625	166

Note: Add a S to the beginning of the part number for Stainless Steel