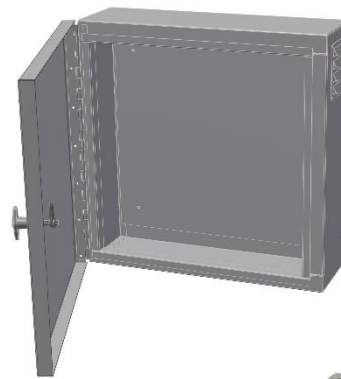
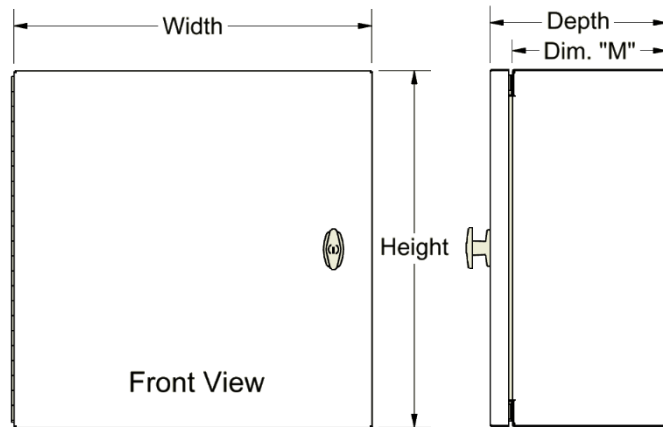
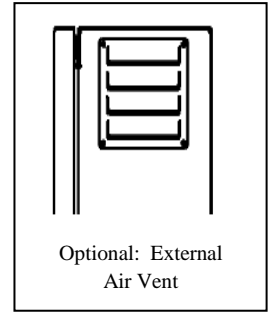


EC – Electrical Enclosure Cabinets - Aluminum, Steel or Stainless Steel

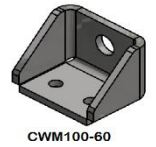
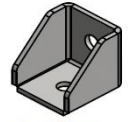
Electrical cabinets are heavy duty, high capacity and offer easy access to your electrical equipment and components. Cabinets can be mounted on walls or any horizontal flat surface. Electrical boxes are available in different sizes, and can be ordered custom size. All AMERICAN TRUCKBOXES boxes are designed and built to keep your equipment safe and secure.

Description

- An engineered aluminum, steel or stainless steel construction
- Powder coated baked-on finish
- Fully seam welded on all seams and corners
- Stainless steel continuous hinge full length of door
- Optional channel braced reinforced door
- Optional mounting bracket and air vents
- Lockable stainless steel adjustable T-handle latch
- Internal mounted false back panel
- Rain gutter and automotive type weather seal
- Mounting kit included
- Can be ordered in custom size with custom cutouts
- Listing pending



Mounting Bracket



1A052-D-SS



1A052-E-DB



1A052-F-DB

“Latches Available”

Note: Boxes are available in gray (standard), black and white, add “g” for gray, “b” for black and “w” for white after part number.

Model Number	Material	Height (in.)	Depth (in.)	Width (in.)	Dim. "A" (in.)	Door Opening Height (in.)	Door Opening Width (in.)	Weight (lb.)
AEC41B-D-241224SD-SOS	.090 Smooth	24	12	24	10-1/4	20-3/8	20-3/8	29
AEC41B-D-301230SD-SOS	.090 Smooth	30	12	30	10-1/4	26-3/8	26-3/8	40
AEC41B-D-361236SD-SOS	.090 Smooth	36	12	36	10-1/4	32-3/8	32-3/8	55
AEC41B-D-421242SD-SOS	.090 Smooth	42	12	42	10-1/4	38-3/8	38-3/8	71
AEC41B-D-481248SD-SOS	.090 Smooth	48	12	48	10-1/4	44-3/8	44-3/8	89
SEC41B-D-241224SD-SOG	14 Gauge Steel	24	12	24	10-1/4	20-3/8	20-3/8	70
SEC41B-D-301230SD-SOG	14 Gauge Steel	30	12	30	10-1/4	26-3/8	26-3/8	99
SEC41B-D-361236SD-SOG	14 Gauge Steel	36	12	36	10-1/4	32-3/8	32-3/8	133
SEC41B-D-421242SD-SOG	14 Gauge Steel	42	12	42	10-1/4	38-3/8	38-3/8	173
SEC41B-D-481248SD-SOG	14 Gauge Steel	48	12	48	10-1/4	44-3/8	44-3/8	215
SEC41B-D-601260DDD-SOG	14 Gauge Steel	60	12	60	10-1/4	56-3/8	2-26-5/8	330

Note: Add a S to the beginning of the part number for Stainless Steel