

LFC – EZ-Grab (Low Profile) Cross Boxes - Double Lids

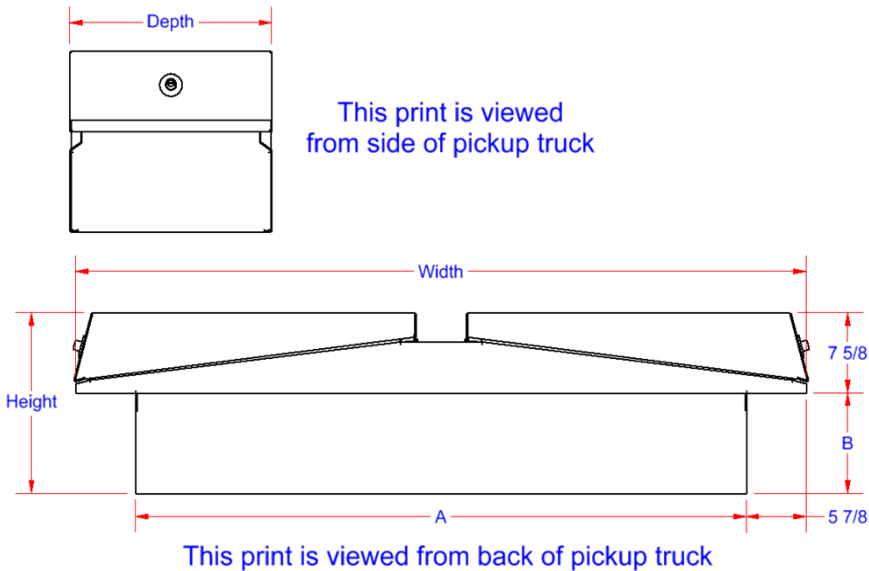
EZ-Grab cross boxes are heavy duty, high capacity and offer easy access from either side of the truck with two independent lids. Boxes can be used separately or in combination with EZ-Grab side boxes. Cross boxes come in different sizes and with slanted sides and lids to match your trucks style. All AMERICAN TRUCKBOXES boxes are designed and built to keep your tools safe and secure.

Description

- An engineered aluminum construction.
- Stainless steel continuous hinge on full length of lid.
- Fully seam welded on all seams and corners
- Channel brace, reinforcement on lid.
- Gas springs to “pop” and keep lid open.
- Lockable stainless steel push-in latches.
- Adjustable lock striker for positive weather seal.
- Reinforced bottom plate.
- Steel powder coated sliding tray slides the full length of toolbox.
- Steel adjustable dividers in tray.
- Removable dividers on outer compartment.
- Automotive style latch with push button action.
- Fully concealed rain gutter, with automotive type weather seal.
- Option drawers, heavy duty slides and adjustable dividers
- Mounting kit included – M3500R or M3500RR Drawer Box



With Option Drawer



Model Number	Material	Dim. A (in.)	Dim. B (in.)	Height (in.)	Depth (in.)	Width (in.)	Weight (lb.)
ALFC5-162072DL-TOT	.090 smooth/.100 Thread	61.00	8-11/16	16	20	72	88
ALFC5-162472DL-TOT	.090 smooth/.100 Thread	61.00	8-11/16	16	24	72	99
ALFC5-162872DL-TOT	.090 smooth/.100 Thread	61.00	8-11/16	16	28	72	109
ALFC5-162062DL-TOT	.090 smooth/.100 Thread	51.00	8-11/16	16	20	62	80
ALFC5-162462DL-TOT	.090 smooth/.100 Thread	51.00	8-11/16	16	24	62	90
ALFC5D2-202072DL-TOT	.090 smooth/.100 Thread	61.00	12-11/16	20-1/4	20	72	108
ALFC5D2-202472DL-TOT	.090 smooth/.100 Thread	61.00	12-11/16	20-1/4	24	72	124
ALFC5D2-202872DL-TOT	.090 smooth/.100 Thread	61.00	12-11/16	20-1/4	28	72	139