

L-CB Series = Steel Cross Beams for M2100 Series Brackets.

Cross beams are super heavy duty, and mounted between the 2100 series L-brackets. Cross beam supports the bottom of box when heavy objects are loaded into box. All AMERICAN TRUCKBOXES mounting kits are designed and built to keep your boxes safe and secure.

Description

- An engineered 1.5" x 3.0" .187 (3/16g) steel powder coated
- An engineered 1.5" x 3.0" .250 (1/4g) aluminum
- Predrilled 1/2" holes for easy mounting

Part Number	Application	Length	Weight	Load Rating
L-CB24S	Steel Under Box	24" - 16 5/8"	4.8 lbs.	500 lbs. Max
L-CB30S	Steel Under Box	30" - 22-5/8"	6.0 lbs.	500 lbs. Max
L-CB36S	Steel Under Box	36" - 28-5/8"	7.5 lbs.	500 lbs. Max
L-CB48S	Steel Under Box	48" - 40-5/8"	10.5 lbs.	500 lbs. Max
L-CB60S	Steel Under Box	60" - 52-5/8"	14.0 lbs.	500 lbs. Max
L-CB72S	Steel Under Box	72" - 64-5/8"	17.0 lbs.	500 lbs. Max
L-CB24A	Alum Under Box	24" - 16 5/8"	2.2 lbs.	500 lbs. Max
L-CB30A	Alum Under Box	30" - 22-5/8"	2.8 lbs.	500 lbs. Max
L-CB36A	Alum Under Box	36" - 28-5/8"	3.5 lbs.	500 lbs. Max
L-CB48A	Alum Under Box	48" - 40-5/8"	4.8 lbs.	500 lbs. Max
L-CB60A	Alum Under Box	60" - 52-5/8"	6.4 lbs.	500 lbs. Max
L-CB72A	Alum Under Box	72" - 64-5/8"	7.8 lbs.	500 lbs. Max



M2200D Series = Steel Underbody Top Mount Application

Adjustable underbody top mount brackets are heavy duty, and mounted to box and under van cross beam applications. All AMERICAN TRUCKBOXES mounting kits are designed and built to keep your boxes safe and secure.

Description

- An engineered .125 (10g) steel powder coated
- Predrilled holes adjustable for easy mounting

Part Number	Application	Height Depth	Weight Per Set	Load Rating
M2236D	Underbody	2-7/8 x 5-3/4	28 lbs.	300 lbs. Max
M2248D	Underbody	2-7/8 x 5-3/4	36 lbs.	300 lbs. Max
M2260D	Underbody	2-7/8 x 5-3/4	44 lbs.	300 lbs. Max
M2272D	Underbody	2-7/8 x 5-3/4	54 lbs.	300 lbs. Max



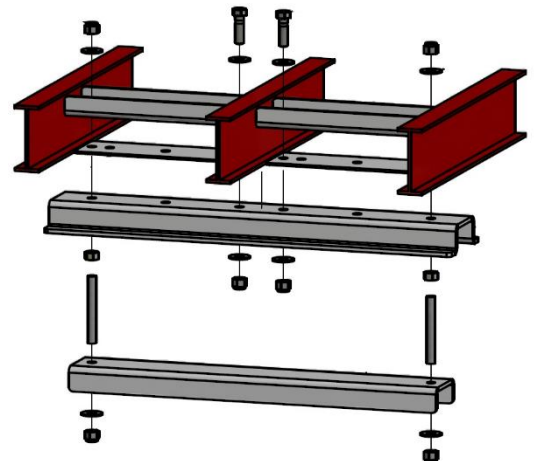
M2600UD Series = Under Deck Top Mount Application

Adjustable under deck top mount brackets are heavy duty, and mounted to box and under van cross beam applications. All AMERICAN TRUCKBOXES mounting kits are designed and built to keep your boxes safe and secure. (See Mounting Kit Installation Sheet for more information)

Description

- An engineered .25 (1/4g) Aluminum powder coated
- Predrilled holes adjustable for easy mounting

Part Number	hwx	Application	Height Depth	Weight Per Each	Load Rating Each
M2600UD-2424-S		Under Deck	N/A	7 lbs.	250 lbs. Max
M2600UD-2448-S		Under Deck	N/A	13 lbs.	250 lbs. Max



Note: For None Adjustable Brackets use M2650UD Series Brackets.