

BB4 & BS4 - Battery Boxes - Aluminum Front Open Single Lid.

Battery boxes are super heavy duty and offer easy access to batteries from side of the truck. Boxes are available with or without steps. Battery boxes are available in different sizes and can be ordered in custom size. All AMERICAN TRUCKBOXES boxes are designed and built to keep your batteries secure.

Description

- An engineered aluminum construction
- Fully seam welded on all seams and corners
- Laser cut pressed grip (L) or strut grip steps (S) or no steps
- Rubber heavy duty lid latch kit
- Easy removable lid
- Reinforced bottom channel
- Stainless steel battery holder bracket for group 31 batteries
- Mounting kit not included – (Kits Av. = M3050C (add 20lbs. to weight))

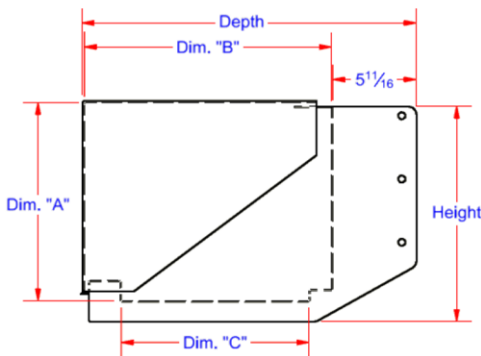
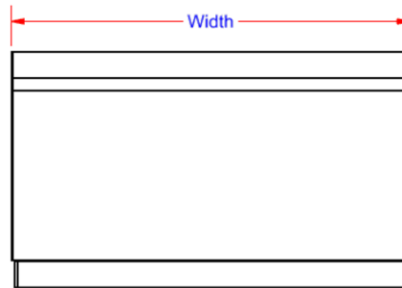
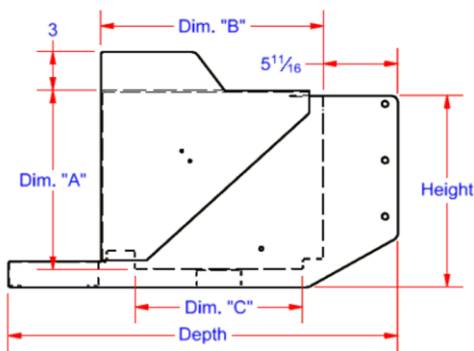
ABB4 -Box
without Step



ABS4L-Box with Laser Pressed Grip Steps



ABS4S-Box with Strut Grip Steps



Model Number	Material	Batteries	Height (in.)	Depth (in.)	Width (in.)	Dim "A" (in)	Dim "B" (in)	Dim "C" (in.)	Weight (lb.)
ABB4-152317SL-TOT	.090 Smooth/.100 Thread	2	15	23	17	13-11/16	16-7/8	12-13/16	26
ABB4-152324SL-TOT	.090 Smooth/.100 Thread	3	15	23	24	13-11/16	16-7/8	12-13/16	34
ABB4-152916SL-TOT	.090 Smooth/.100 Thread	3	15	29	16	13-11/16	24-7/8	20-13/16	37
ABB4-152330SL-TOT	.090 Smooth/.100 Thread	4	15	23	30	13-11/16	16-7/8	12-13/16	43
ABS4L-153030SL-TOT	.090 Smooth/.100 Thread	4	15	30	30	13-11/16	16-7/8	12-13/16	60
ABS4S-153030SL-TOT	.090 Smooth/.100 Thread	4	15	30	30	13-11/16	16-7/8	12-13/16	60